



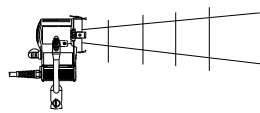
Castor 2000W

Features

- Compact 2000/2500W Studio Fresnel
- Popular general purpose keylight and backlight in studios and on location
- Manual or pole-operated versions
- Manual version suitable for location lighting
- Stirrup fitted with 29mm spigot
- Dual filament lamp 1.25/2.5kW version available.
- Rotary power switch fitted



Photometric Data



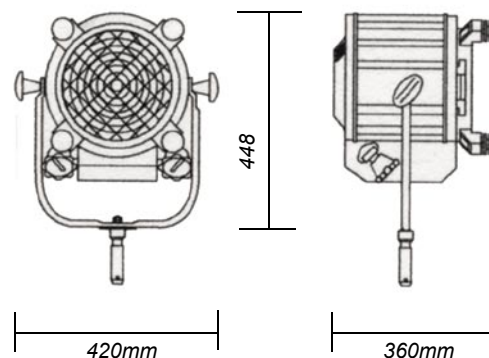
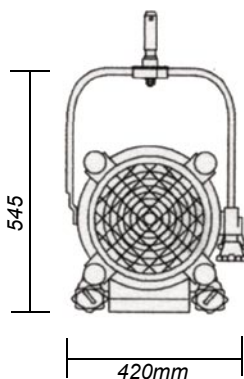
Typical performance based on CP41 2000W lamp

Spot (8.5°)

Throw (m)	10	15	20
Beam Ø (m)	1.48	2.22	2.97
Lux	3470	1542	867

Flood (45.5°)

Throw (m)	5	10	15
Beam Ø (m)	4.2	8.3	12.5
Lux	1972	493	220





Introduction

Compact 2000/2500W studio fresnel, the Castor is popular as a general purpose key or backlight in studios and on location. Manual and pole operated versions available.

Ordering Information

Cat No	Description	Accessories
26300	Castor 2kW MO supplied with barndoor, colour frame and stirrup with head mounted rotary switch, with 7m cable BE, 29mm spigot	28070 4 leaf barndoor 28093 colour frame 28306 scrim set (one double scrim, one single scrim, one half double scrim, one half single scrim)
26300E	Castor 2kW MO Rental supplied with barndoor, colour frame and stirrup, without on/off switch, 1.5m cable, no spigot, 13mm hole	82002 safety bond, 50kg 82012 hook clamp for 29mm spigot (50mmØ barrel)
26310	Castor 2kW PO supplied with barndoor, colour frame and stirrup, head mounted rotary switch, with 7m cable BE, 29mm spigot	82013 hook clamp for 29mm spigot (30/50mmØ barrel, SWL 50kg)
26320	Castor 1.25/2.5kW MO	
26330	Castor 1.25/2.5kW PO	

Operational Data

Castor 1.25/2.5kW

Weight (head & stirrup)	13.5kg
Packed weight	17.5kg
Packed volume	0.118m ³
Lens diameter	250mm
Filter cut size diameter	320mm
Range	9° to 49°

Castor 2kW

Weight (head & stirrup)	13.5kg
Packed weight	17.5kg
Packed volume	0.118m ³
Lens diameter	250mm
Filter cut size diameter	320mm
Range	8.5° to 45°

Mounting	29mm spigot (not 26300E)
Safety	EN60 598 2-17

Lamp Data

Lamp code	CP41-2000W	CP94-2500W	CP30-1250/2500W
LCL (mm)	127	127	127
Base	G38	G38	GX38q
Lumens	54,000	67,500	27,000/56,000
Rated life hours (H)	400	400	300
Colour temp. (K)	3200	3200	3200

Strand Lighting Limited
Mitchelston Industrial Estate,
Kirkcaldy, Fife, KY1 3LY
United Kingdom
Tel: +44 (0)1592 656400
Fax: +44 (0)1592 653528

Strand Lighting Italia srl
Via delle Gardenie 33
00040 Pomezia-Roma, Italy
Tel: +39 06 919631
Fax: +39 06 9147136

Strand Lighting Asia
20/F Delta House, 3 On Yiu Street
Shatin, N.T. Hong Kong
Tel: + 852 2757 3033
Fax: + 852 2757 1767

Strand Lighting Limited
Unit 3, Hammersmith Studios,
Yeldham Road, London, W6 8JF
United Kingdom
Tel: +44 (0)1592 656400
Fax: +44 (0)20 8735 9799

Strand Lighting GmbH
Kurfürstendamm 70
10709 Berlin, Germany
Tel: +49 30 707 9510
Fax: +49 30 707 95199



The Company reserves the right to make any variation in design or construction to the equipment described. E&OE
© Strand Lighting Ltd 2005
Strand™, Strand Lighting™, Strand Quartzcolor™ are trademarks of Strand Lighting Limited and Strand Lighting Inc.